

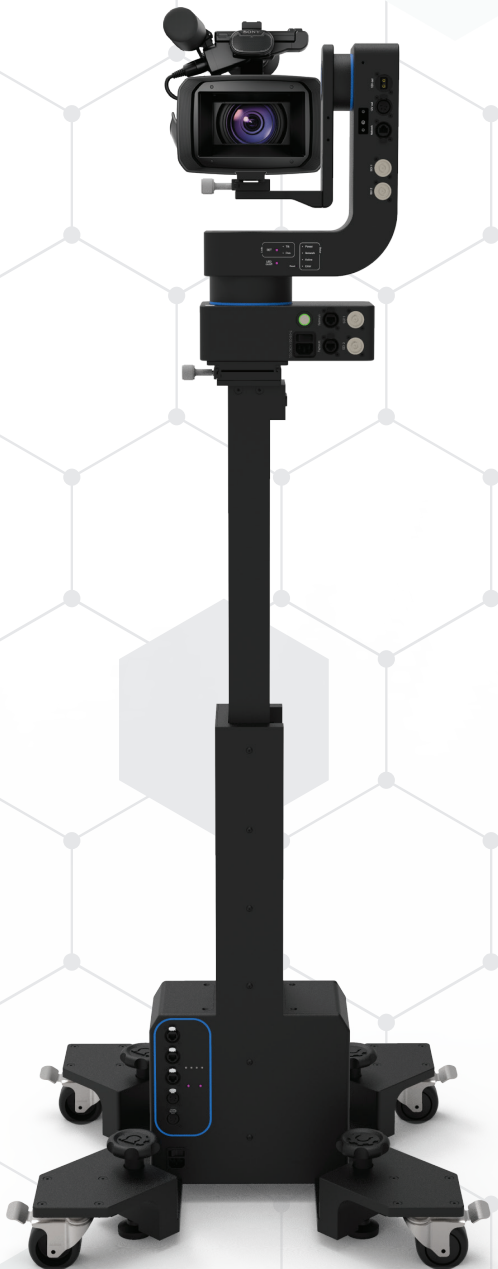


**ZANUS**  
*PRODUCTION ROBOTICS*

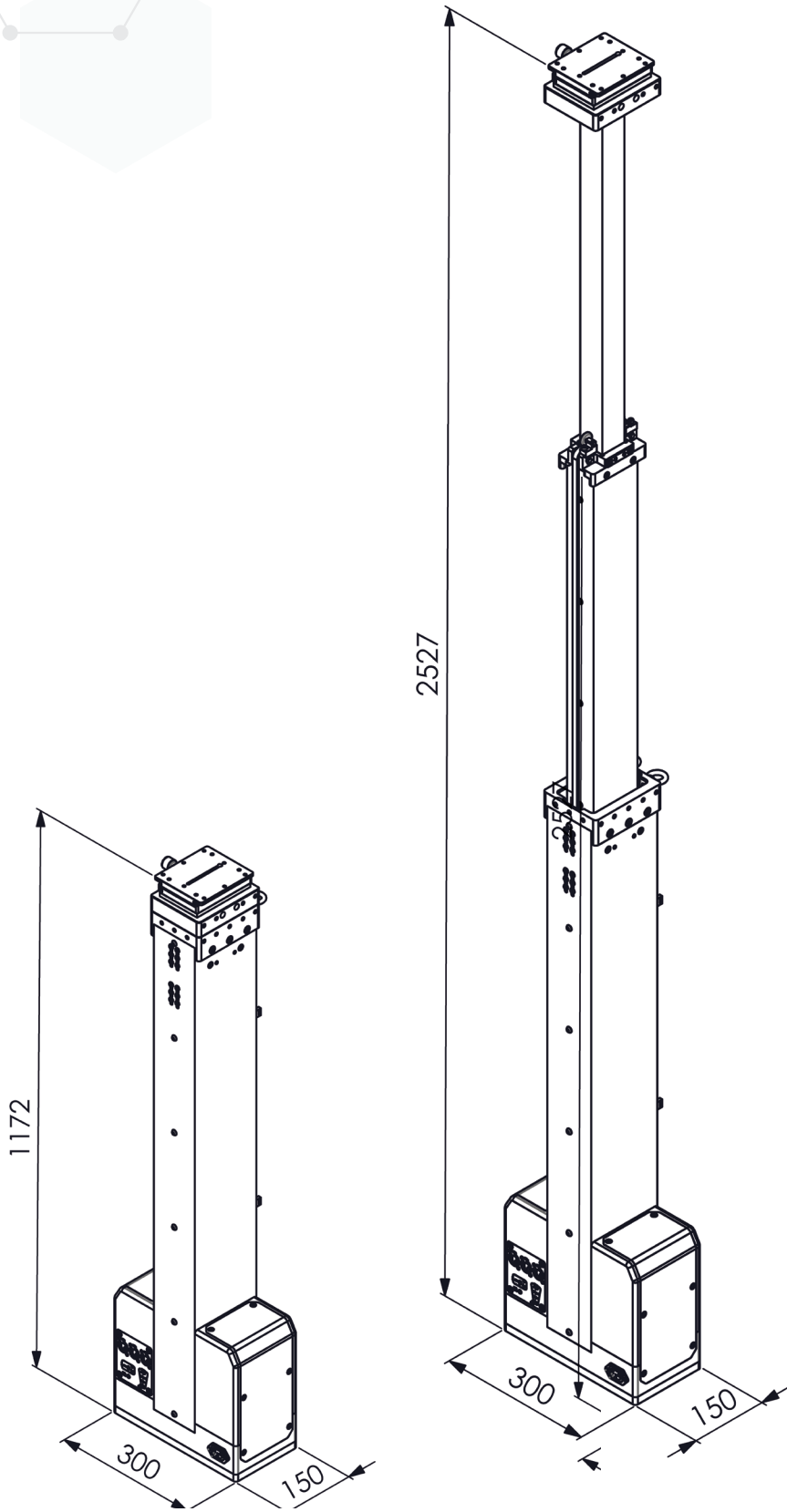


**Raise motorized pedestal**

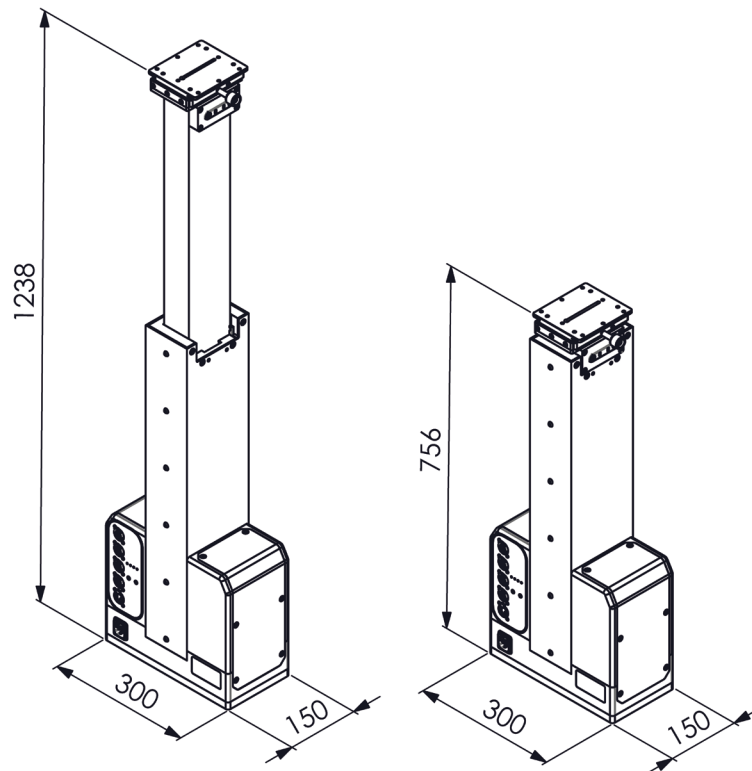
- Mounting on the floor via a base with caster wheels, as well as mounting from the ceiling, are both possible
- Suitable for all PTZ cameras and most robotic pan-tilt heads
- Smooth, precise, and silent motion



- Suitable for AR/VR workflows with Free-D protocol support
- Dimensions and specifications can be customized according to customer needs



	Two segments	Three segments
Payload	20kg	10kg
Temperature operating range	From -10°C to +45°C	
Power supply input	48V DC / 220V AC	
Power supply output	1x AC pass trough, 12V – 5A, 24V – 5A in the base	
Mounting flexibility	Can be mounted both straight or upside-down	
Protection class	IP 52	
Speed range	0.1 – 150 mm/s	0.1 – 100 mm/s
Minimal height	1200 mm	1500 mm
Maximal height	1800mm	3500 mm
Travel	500 mm	2000 mm



[info@zanustechnology.com](mailto:info@zanustechnology.com)  
[www.zanusrobotics.com](http://www.zanusrobotics.com)

